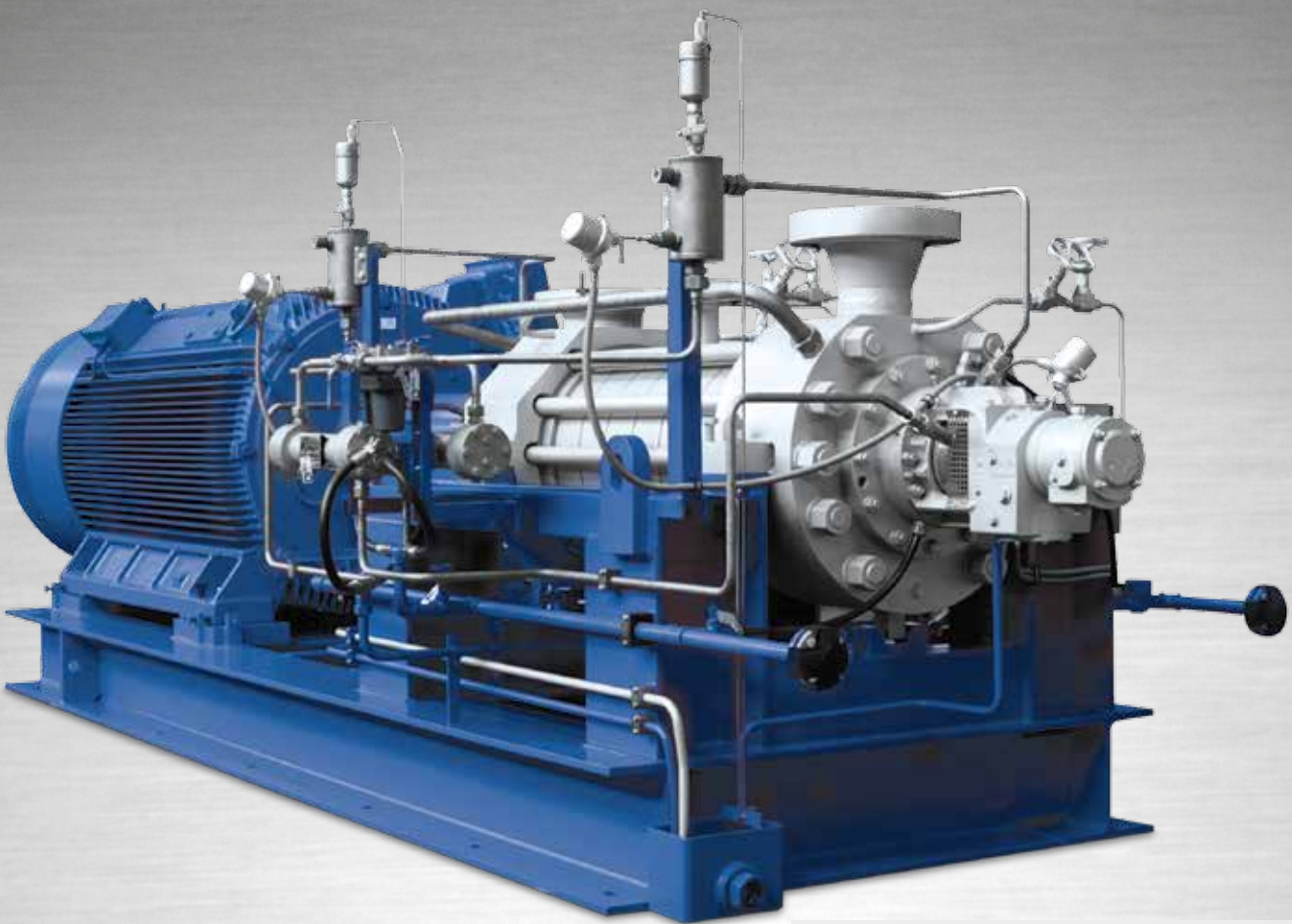


► Our technology. Your success.

Pumps • Valves • Service



HGC – Boiler feed pump

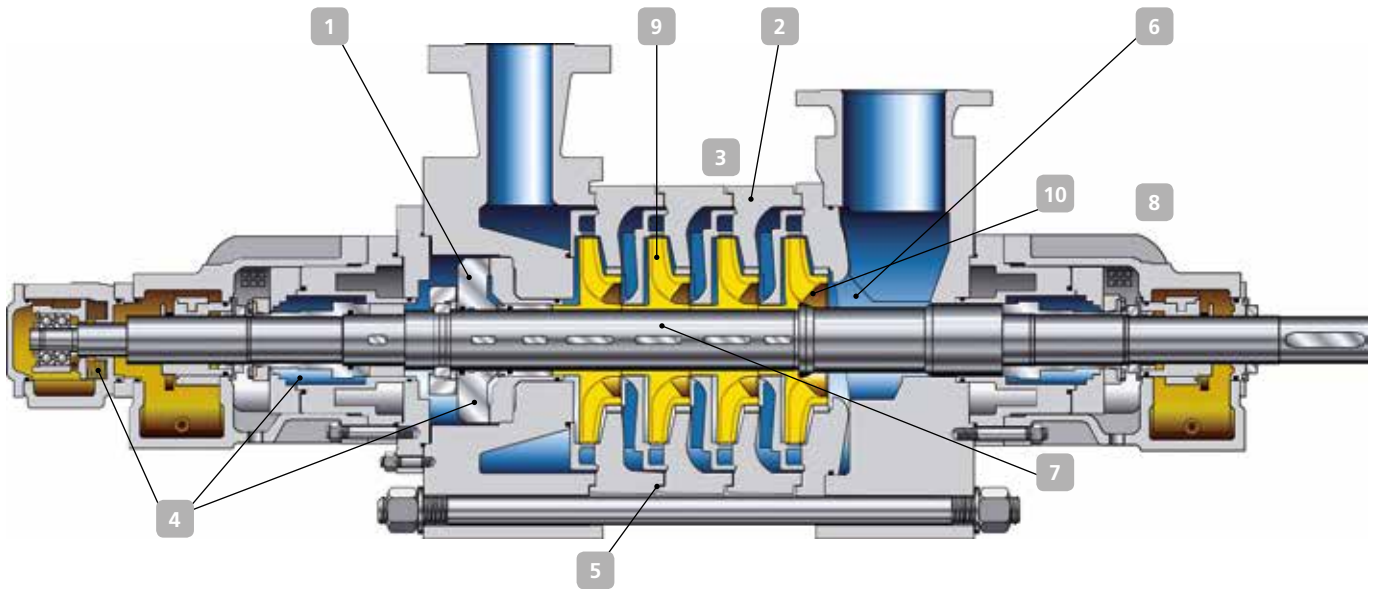


Applications:

- Handling of boiler feed water and condensate in power stations and industrial facilities
- Generation of pressurised water for descaling equipment

More information: www.ksb.com/products

HGC – Boiler feed pump



High operating reliability

- 1 Axial thrust balancing by balance disc
- 2 Adaptation of pump casing to rotor deflection line

Tapping

- 3 Extraction of one or several partial flows of feed water for use elsewhere in the power station

Ease of service

- 4 Easy maintenance of wear parts (bearings, seal elements, balancing devices)
- 5 Metal-to-metal sealing of casing

Long service life

- 6 Avoidance of cavitation erosion inside the pump through hydraulically optimised inlet
- 7 Variant straight shaft design featuring increased operation safety

Reduced energy costs

- 8 No pre-warming of pump required
- 9 More than 100 impeller/diffuser combinations with optimum efficiencies possible

Low capital expenditure

- 10 Double-entry inlet available as an option (so, in many applications, no booster pump is required)

Materials

Suction casing	Carbon steel
Discharge casing	Chrome steel
Stage casing	Chrome steel
Impeller / Diffuser	Chrome steel
Shaft	Quenched and tempered steel

Technical data*

Capacity	up to 1,450 m ³ /h
Head	up to 4,200 m
Operating pressure	up to 420 bar
Temperature	up to 200 °C
Speed	up to 7,000 m ⁻¹
Frequency	50/60 Hz

*Higher ratings on request



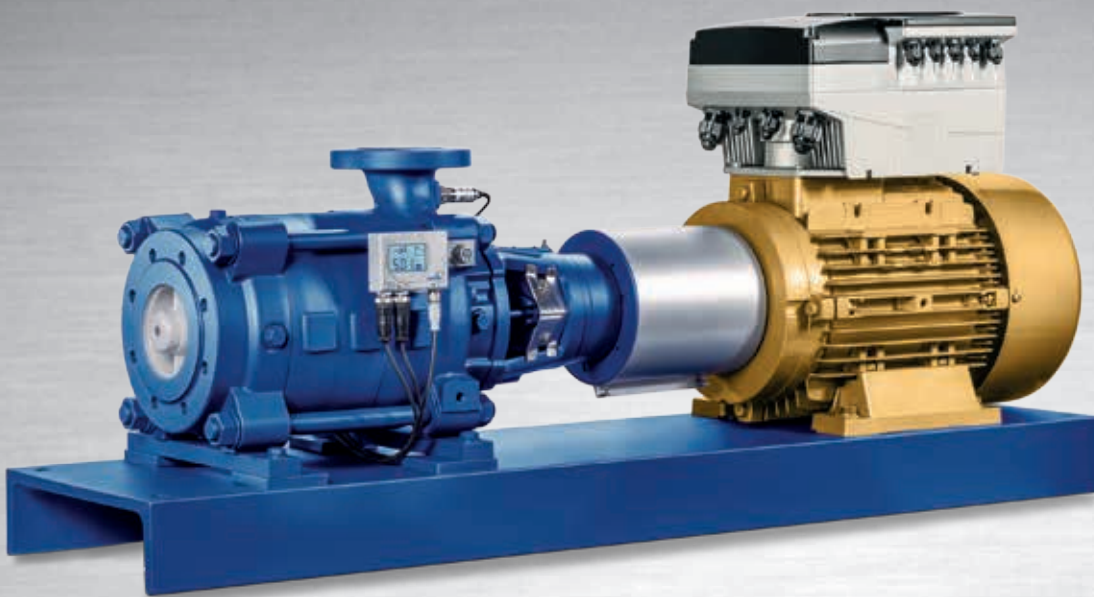
KSB Aktiengesellschaft
 Johann-Klein-Straße 9
 67227 Frankenthal (Germany)
 www.ksb.com

► Our technology. Your success.

Pumps • Valves • Service



Multitec – High-pressure Pump in Ring-section Design



Applications:

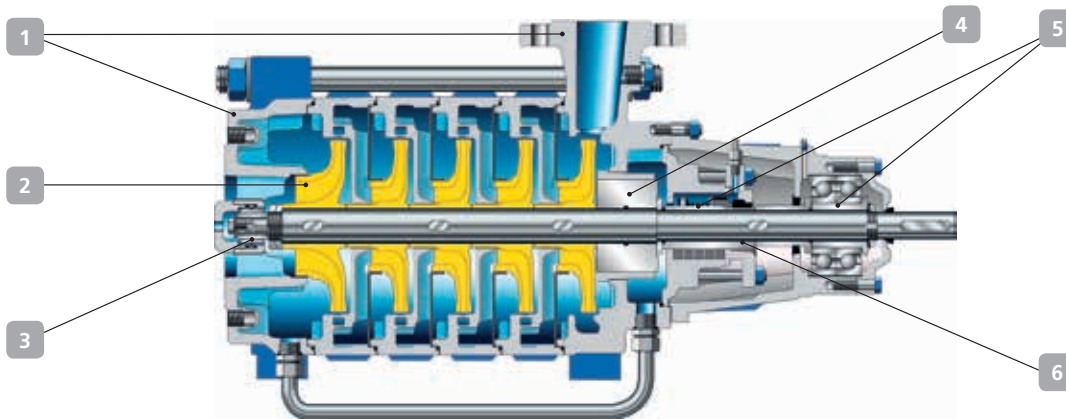
- Water supply
- Drinking water supply
- Pressure boosting
- Irrigation systems
- Fossil-fuelled power stations
- Hot water supply
- Condensate transport
- Boiler feed applications
- Heating systems
- Filtering systems
- Fire-fighting systems
- Snow-making systems
- Washing plants
- Industrial plants
- Desalination plants
- Geothermal plants
- Heat recovery systems

Multitec with KSB SuPremE® IE4* motor, PumpDrive and PumpMeter

More information:

www.ksb.com/products

Multitec – High-pressure Pump in Ring-section Design



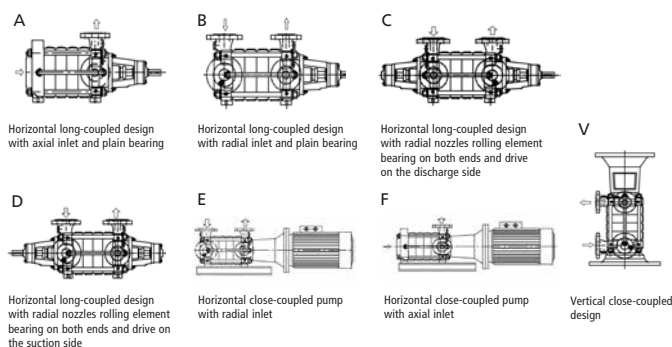
Versatile and flexible pump

- 1 Suction and discharge nozzles can be adjusted to the system as needed, even on site.
 - Large choice of designs, materials and shaft seals to adapt to the customer's project.

High operating reliability

- 2 Special suction impeller designed for good performance and smooth running even under poor suction conditions or for handling fluids with low vapour pressure.
- 3 Wear-resistant, self-aligning plain bearing made of silicon carbide.
- 4 Axial thrust balancing ensured by balancing drum for a long service life.

Designs



Technical data	Size: DN32-200	
Flow rate	up to 850 m ³ /h	3742 Usgpm
Discharge head	up to 1000 m	3280 ft
Pump discharge pressure	up to 100 bar	up to 1450 psi
Fluid temperature	-10 to + 200 °C	14 to 392 °F
Frequency	50 and 60 Hz, 2 and 4 poles	

Low operating costs

- Optimised hydraulic design and impellers trimmed to the duty point as a standard to ensure the system's high efficiency.
- KSB SuPremE® IE4* synchronous reluctance motor, PumpMeter, as well as PumpDrive or PumpDrive R variable speed systems ensure optimal efficiency of the complete pump set and automatic adjustment to current demand, thus important energy savings are achieved.

Service-friendly design, low spare parts costs

- 5 Easy dismantling of bearing and shaft seal without the need to remove hydraulic components thanks to separate seal chamber/bearing housing as well as shaft protecting sleeves at the bearing and shaft seal.
- 6 With some pump models, there is only one discharge-side seal. This reduces the costs for purchasing and storing spare parts.

Other features

Flanges	DIN or drilled to ASME
Drive	direct by electric motor

Materials

Cast iron	Bronze
Nodular cast iron (only for DN 200)	Cast steel
Duplex and super duplex stainless steel	Stainless steel

Automation options

PumpDrive, PumpDrive R, KSB SuPremE® IE4* motor, PumpMeter

* IE4 acc. to IEC/CD 60034-30 Ed. 2



KSB Aktiengesellschaft
 Johann-Klein-Straße 9
 67227 Frankenthal (Germany)
 www.ksb.com