



ORBITA
Electronic Hotel Lock
split design

+17 years
professional and innovative



AVAILABLE IN 4 COLORS

According to customers and can be processed products to the OEM, customers to design personalized, processing products.



Contact us on Skype

800, 000 CIRCLE TEST

Passed American Military ANSI/BHMA A156 test,
more than 800, 000 circles



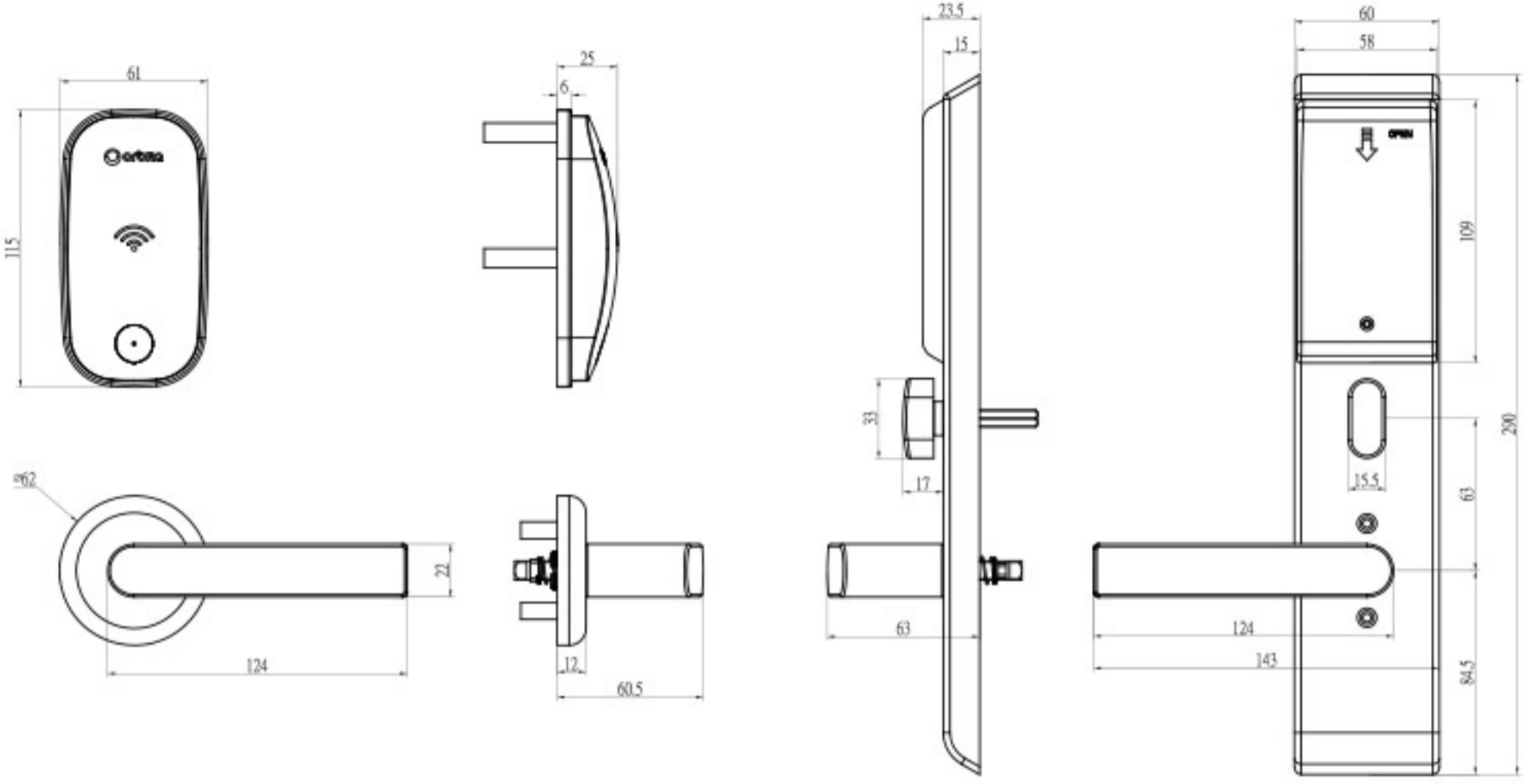
304 STAINLESS STEEL MATERIAL

Stainless steel color lasts more than 10 years



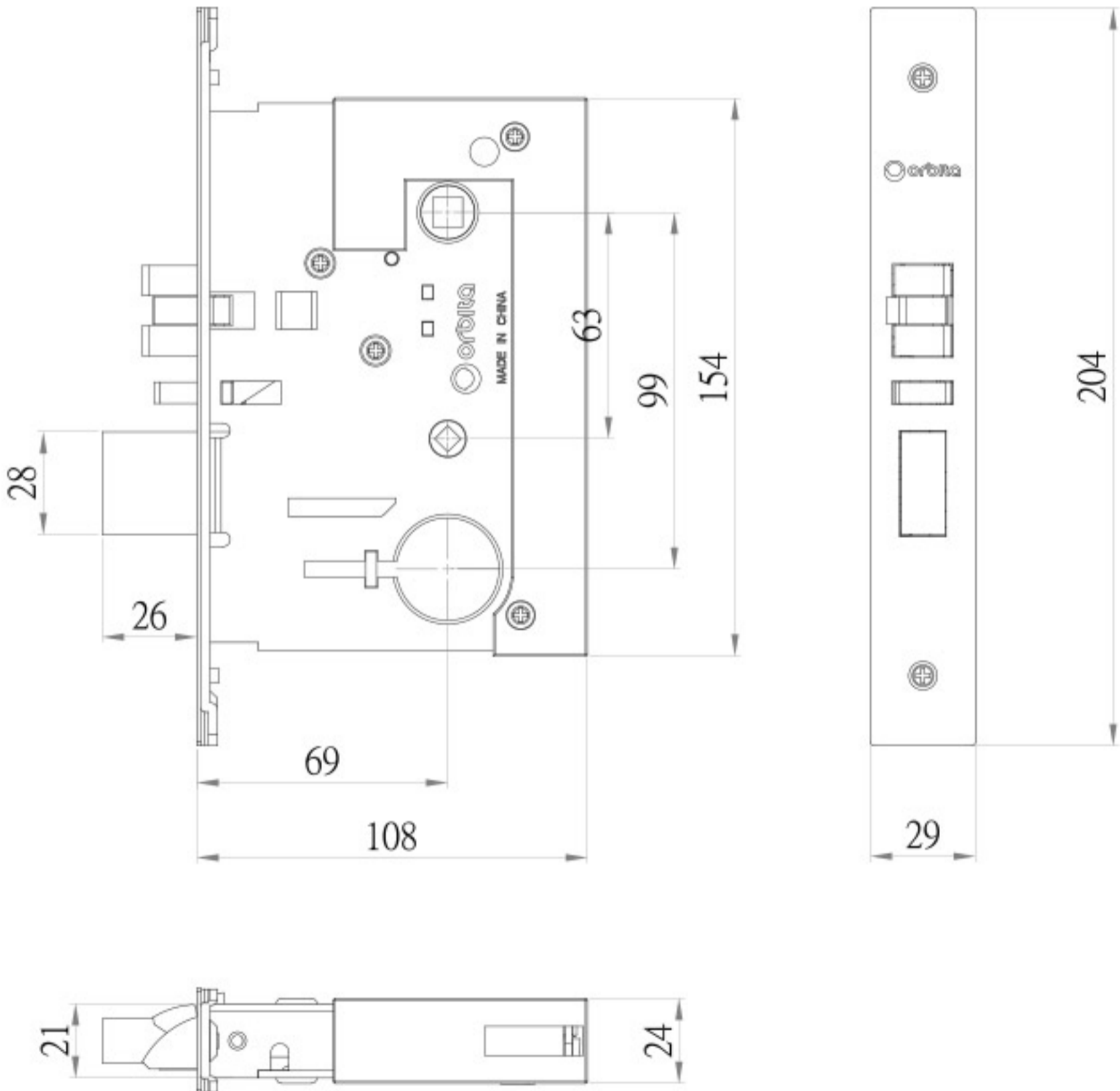
LOCK SIZE

Unit:mm



LOCK Moritise

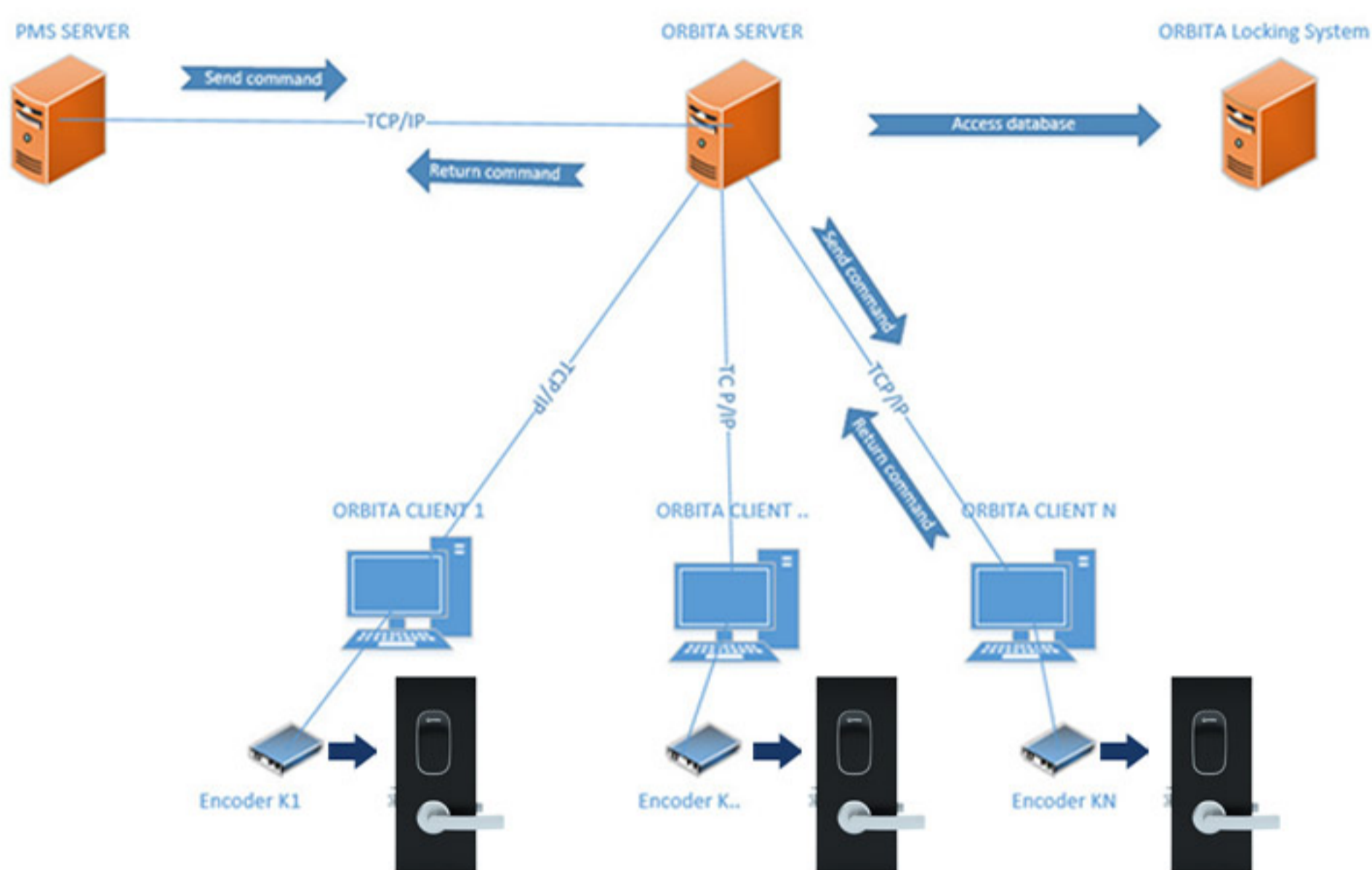
Unit:mm



Fidelio/OPERA Certificate

Orbita Locking System is Fidelio/OPERA registered, interfacing with OPERA and most of PMS.

ORBITA PMS Network topology



Orbita Hotel Locking System



Handset OBT-PP01

Wireless Portable Programmer, Helpful for Hotel Management

- Program locks
- Update clock
- Read & Down;pad openings
- Open locks as master card

SINCE 2004

Focus on electronic hotle lock

Over 20,000 hotels in more than 100 countries around the world are using OBITA brand hotel locks, intelligent locks and other products



— OUR CUSTOMERS —

